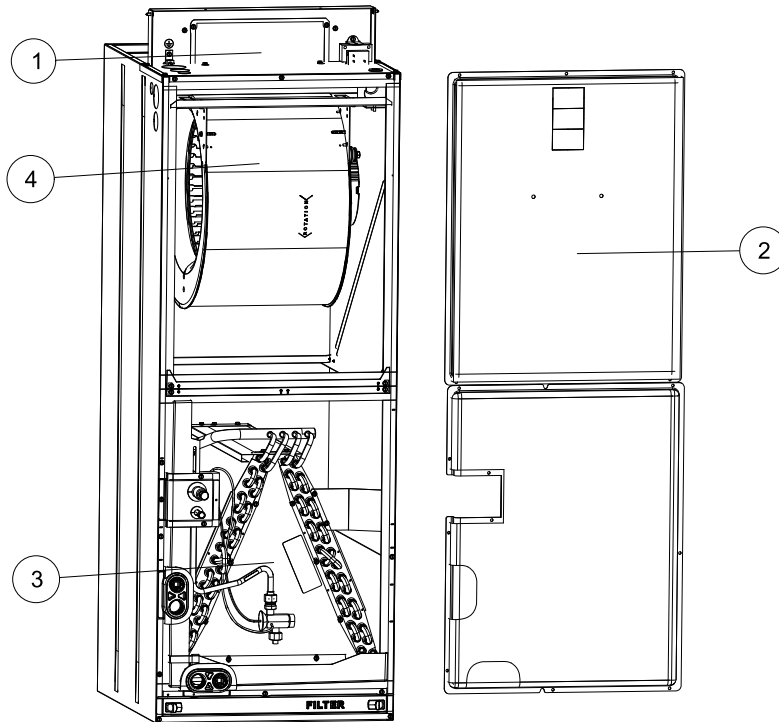


JHET SERIES SINGLE PIECE AIR HANDLERS WITH ECM MOTORS, TXV COIL MODELS

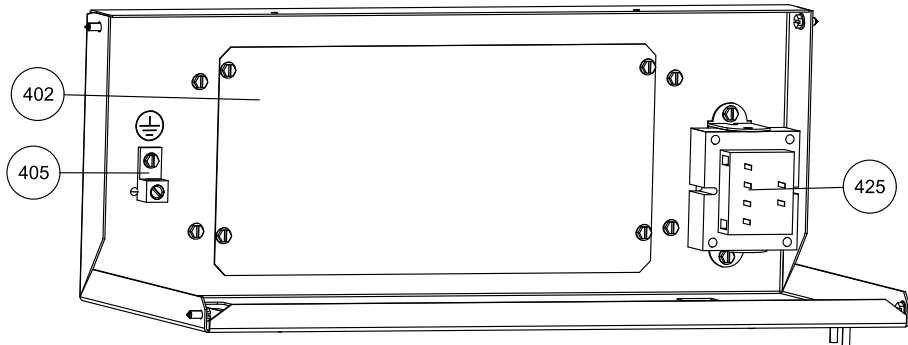
REPAIR PARTS LIST

PRINTED DATE: 4/9/2024

The information provided to you may include Johnson Controls' trade secrets, intellectual property, and confidential business information (including its Bill of Materials), and this information is to be kept in the strictest confidence and not to be disclosed to any third party without the prior written consent of Johnson Controls.



Section	Description
1	ELECTRICAL BOX / CONTROLS
2	SHEET METAL / CABINET PARTS
3	REFRIGERATION SYSTEM
4	INDOOR BLOWER PARTS
8	MISCELLANEOUS
9	WIRING DIAGRAMS / VFD PARAMETERS
10	HARNESSES

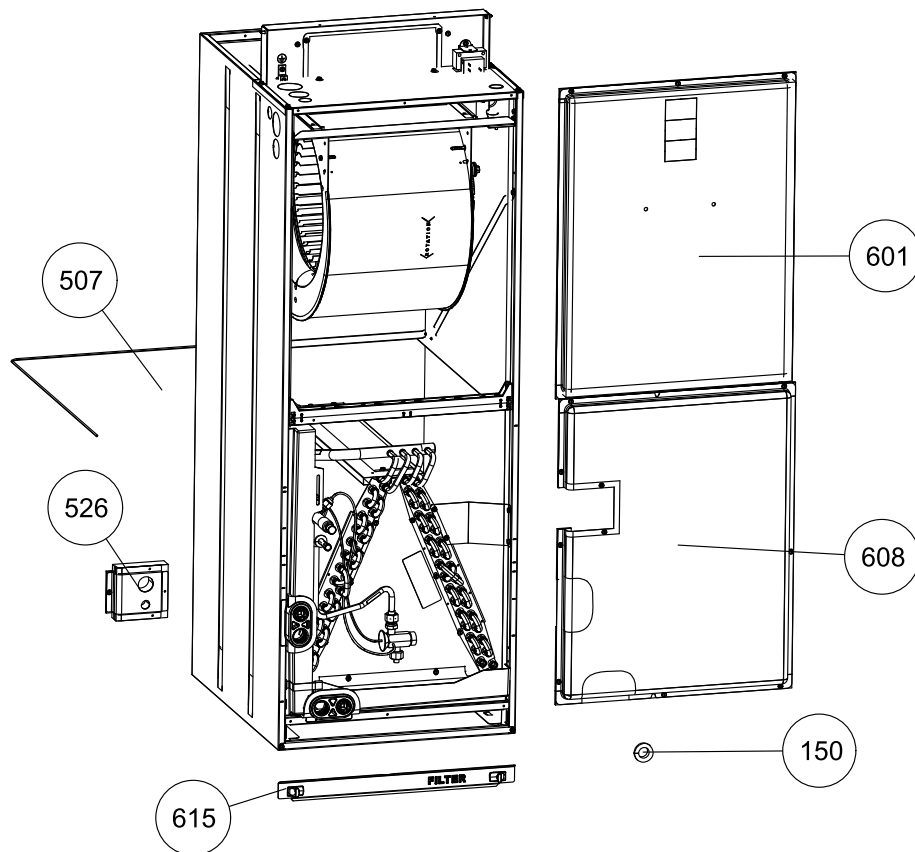


Section : ELECTRICAL BOX / CONTROLS

Section	Callout	Replacement Part #	Description	Original Part #	JHETB36 DBCS2N 1	JHETB36 DBCS2N 1	JHETC36 DBCS2N 1	JHETC42 FBCS2N1	JHETC48 GBCS2N 1
1	402	S1-07339412001	COVER,HEAT	S1-07339412001	1	1	1	1	1
1	405	S1-02521798000	LUG,GROUND,ELECTRICAL ALUMINUM 1.06 X .5	S1-02521798000	1	1	1	1	1
1	425	S1-02518452700	TRNSF,208/240V,24V/40VA,50/60 HZ	S1-02518452700	1	1	1	1	1

Section	Callout	Replacement Part #	Description	Original Part #	JHETC60 HBCS2N 1	JHETD48 GBCS2N 1	JHETD60 HBCS2N 1	JHETD60 JBCS2N1	
1	402	S1-07339412001	COVER,HEAT	S1-07339412001	1	1	1	1	
1	405	S1-02521798000	LUG,GROUND,ELECTRICAL ALUMINUM 1.06 X .5	S1-02521798000	1	1	1	1	
1	425	S1-02518452700	TRNSF,208/240V,24V/40VA,50/60 HZ	S1-02518452700	1	1	1	1	

Suggested stocking items are shown with shaded item number.



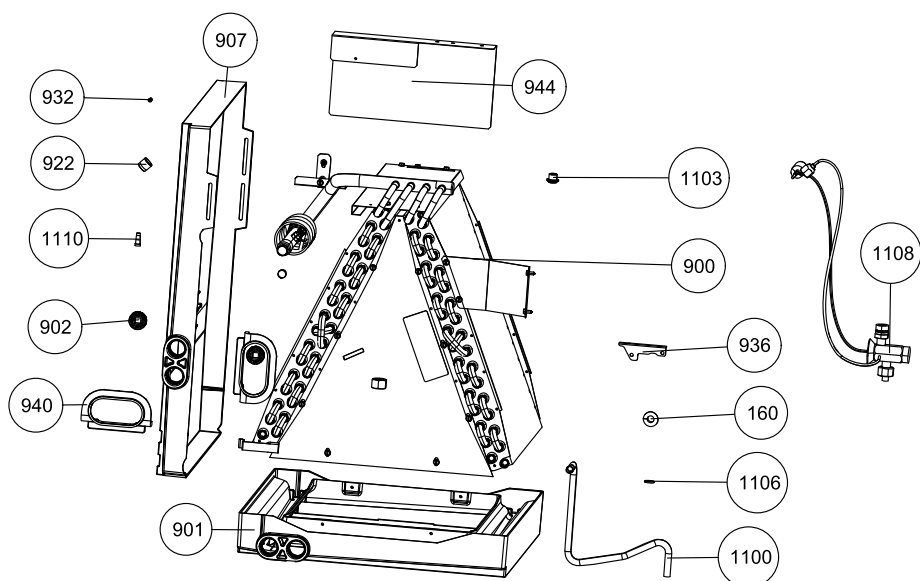
Section : SHEET METAL / CABINET PARTS

Section	Callout	Replacement Part #	Description	Original Part #	JHETB36 DBCS2N 1	JHETB36 DBCS2N 1	JHETC36 DBCS2N 1	JHETC42 FBCS2N1	JHETC48 GBCS2N 1
2	NS	S1-02818911000	KNOB,PANEL,ACCESS,FILTER	S1-02818911000	2	2	2	2	2
2	150	S1-02813204000	GROMMET 3/4 INCH	S1-02813204000	1	1	1		
2	150	S1-02813205000	GROMMET 7/8 INCH	S1-02813205000				1	1
2	507	S1-02925441000	INSULATION RETAINER,B-CABINET	S1-02925441000	1	1			
2	507	S1-02925442000	INSULATION RETAINER,C-CABINET	S1-02925442000			1	1	1
2	512	S1-02818907000	BRACE,CABINET,CENTER,17.5	S1-02818907000	1	1			
2	512	S1-02818908000	BRACE,CABINET,CENTER,21.5	S1-02818908000			1	1	1
2	523	S1-37348867001	PNL,ASSEM,TOP,W/INSUL,17.5,CHAMP	S1-37348867001	1	1			
2	523	S1-37348868001	PNL,ASSEM,TOP,W/INSUL,21.0,CHAMP	S1-37348868001			1	1	1
2	526	S1-37348909001	PNL,ASSEM,TUBING ACCESS W/INSUL,CHAMP	S1-37348909001	1	1			
2	601	S1-37348888001	PNL,ASSEM,UPPER ACCESS,17.5,CHAMP	S1-37348888001	1	1			
2	601	S1-37348890001	PNL,ASSEM,UPPER ACCESS,21.0,CHAMP	S1-37348890001			1	1	1
2	608	S1-37348872001	PNL,ASSEM,LOWER ACCESS,25.0 X 17.5,CHAMP	S1-37348872001	1	1			

2	608	S1-37348874001	PNL,ASSEM,LOWER ACCESS,26.4 X 21.0,CHAMP	S1-37348874001			1		
2	608	S1-37348877001	PNL,ASSEM,LOWER ACCESS,32.4 X 21.0,CHAMP	S1-37348877001				1	
2	608	S1-37348879001	PNL,ASSEM,LOWER ACCESS,36.6 X 21.0,CHAMP	S1-37348879001					1
2	615	S1-37348861001	PNL,ASSEM,FILTER ACCESS,17.5,CHAMP	S1-37348861001	1	1			
2	615	S1-37348863001	PNL,ASSEM,FILTER ACCESS,21.0,CHAMP	S1-37348863001			1	1	1
2	617	S1-02817061001	GASKET,FOAM,5/8 X 1/8 INCH,100 FOOT ROLL	S1-02817061001	2	2			

Section	Callout	Replacement Part #	Description	Original Part #	JHETC60 HBCS2N	JHETD48 GBCS2N	JHETD60 HBCS2N	JHETD60 JBCS2N1	
2	NS	S1-02818911000	KNOB,PANEL,ACCESS,FILTER	S1-02818911000	2	2	2	2	
2	150	S1-02813205000	GROMMET 7/8 INCH	S1-02813205000	1	1	1	1	
2	507	S1-02925442000	INSULATION RETAINER,C-CABINET	S1-02925442000	1				
2	507	S1-02925443000	INSULATION RETAINER,D-CABINET	S1-02925443000		1	1	1	
2	512	S1-02818908000	BRACE,CABINET,CENTER,21.5	S1-02818908000	1				
2	512	S1-02818909000	BRACE,CABINET,CENTER,24.5	S1-02818909000		1	1	1	
2	523	S1-37348868001	PNL,ASSEM,TOP,W/INSUL,21.0,CHAMP	S1-37348868001	1				
2	523	S1-37348869001	PNL,ASSEM,TOP,W/INSUL,24.5,CHAMP	S1-37348869001		1	1	1	
2	601	S1-37348890001	PNL,ASSEM,UPPER ACCESS,21.0,CHAMP	S1-37348890001	1				
2	601	S1-37348892001	PNL,ASSEM,UPPER ACCESS,24.5,CHAMP	S1-37348892001		1	1	1	
2	608	S1-37348881001	PNL,ASSEM,LOWER ACCESS,36.6 X 24.5,CHAMP	S1-37348881001		1		1	
2	608	S1-37348883001	PNL,ASSEM,LOWER ACCESS,38.4 X 21.0,CHAMP	S1-37348883001	1				
2	608	S1-37348885001	PNL,ASSEM,LOWER ACCESS,38.4 X 24.5,CHAMP	S1-37348885001			1		
2	615	S1-37348863001	PNL,ASSEM,FILTER ACCESS,21.0,CHAMP	S1-37348863001	1				
2	615	S1-37348865001	PNL,ASSEM,FILTER ACCESS,24.5,CHAMP	S1-37348865001		1	1	1	

Suggested stocking items are shown with shaded item number.



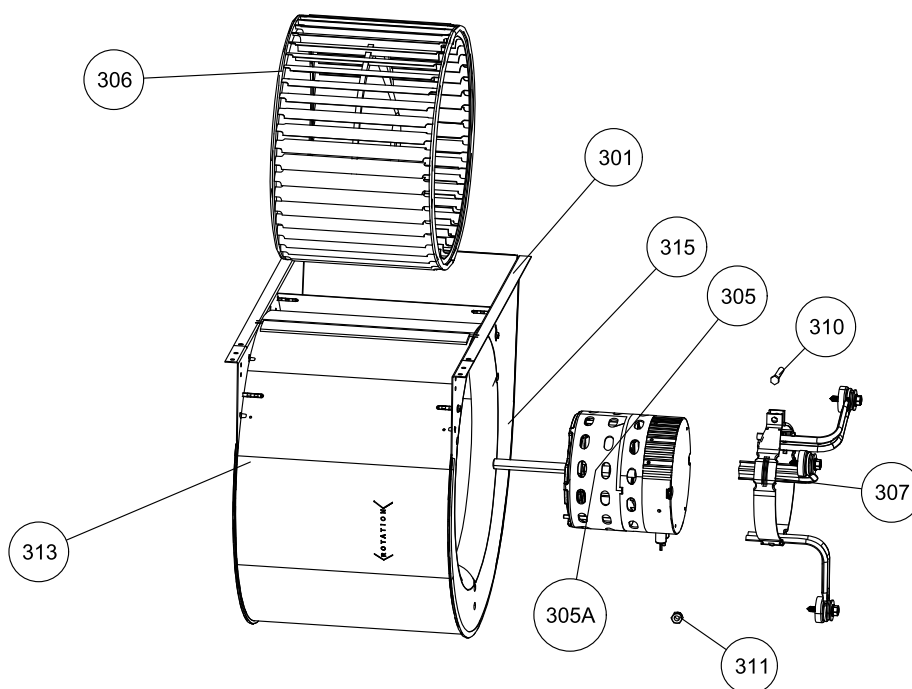
Section : REFRIGERATION SYSTEM

Section	Callout	Replacement Part #	Description	Original Part #	JHETB36 DBCS2N 1	JHETB36 DBCS2N 1	JHETC36 DBCS2N 1	JHETC42 FBCS2N1	JHETC48 GBCS2N 1
3	NS	S1-02131419000	WASHER, TXV	S1-02131419000	2	2	2	2	2
3	160	S1-02813209000	GROMMET 3/8 INCH	S1-02813209000	1	1			
3	900	S1-37348832001	COIL W/HORIZ DP, (3R/20/17.5), ALU FLEX	S1-37348832001	1	1			
3	900	S1-37348833001	COIL W/HORIZ DP, (3R/20/21.0), ALU FLEX	S1-37348833001			1		
3	900	S1-37348834001	COIL W/HORIZ DP, (3R/24/21.0), ALU FLEX	S1-37348834001				1	
3	900	S1-37348836001	COIL W/HORIZ DP, (3R/28/21.0), ALU FLEX	S1-37348836001					1
3	901	S1-02818863000	PAN, DRAIN, 3R, 17.5 IN, A-COIL	S1-02818863000	1	1			
3	901	S1-02818864000	PAN, DRAIN, 3R, 21.0 IN, A-COIL	S1-02818864000			1	1	1
3	902	S1-02812480001	PLUG, DRAIN PAN	S1-02812480001	3	3	3	3	3
3	907	S1-02818872000	PAN, DRAIN, HORIZONTAL, 23.80 IN, A-COIL	S1-02818872000	1	1	1		
3	907	S1-02818874000	PAN, DRAIN, HORIZONTAL, 30.90 IN, A-COIL	S1-02818874000				1	
3	907	S1-02818875000	PAN, DRAIN, HORIZONTAL, 35.35 IN, A-COIL	S1-02818875000					1
3	909	S1-07348813001	SHIELD, BLOWOFF, 3 ROW	S1-07348813001	1	1	1	1	1

3	922	S1-02310745000	CAP,SEAL,KNURLED 7/1	S1-02310745000	1	1	1	1	1
3	932	S1-02202475700	CORE,VLV,V PORT (M10)	S1-02202475700	1	1	1	1	1
3	935	S1-02310745000	CAP,SEAL,KNURLED 7/1	S1-02310745000	1	1	1	1	1
3	940	S1-02818913000	GASKET,DRAIN PAN	S1-02818913000	2	2	2	2	2
3	1106	S1-02131419000	WASHER, TXV	S1-02131419000	1	1	1	1	1
3	1108	S1-1TVMBC1	KIT, TXV, R-410A, 3/4 INCH CHATLEFF CONN	S1-1TVMBC1	1	1	1	1	1

Section	Callout	Replacement Part #	Description	Original Part #	JHETC60 HBCS2N 1	JHETD48 GBCS2N 1	JHETD60 HBCS2N 1	JHETD60 JBCS2N1	
3	NS	S1-02131419000	WASHER, TXV	S1-02131419000	2	2	2	2	
3	900	S1-37348837001	COIL W/HORIZ DP,(3R/28/24.5),ALU FLEX	S1-37348837001		1			
3	900	S1-37348838001	COIL W/HORIZ DP,(3R/32/21.0),ALU FLEX	S1-37348838001	1				
3	900	S1-37348839001	COIL W/HORIZ DP,(3R/32/24.5),ALU FLEX	S1-37348839001			1		
3	900	S1-37348840001	COIL W/HORIZ DP,(4R/28/24.5),ALU FLEX	S1-37348840001				1	
3	901	S1-02818864000	PAN,DRAIN,3R,21.0 IN,A-COIL	S1-02818864000	1				
3	901	S1-02818865000	PAN,DRAIN,3R,24.5 IN,A-COIL	S1-02818865000		1	1		
3	901	S1-02818866000	PAN,DRAIN,4R,24.5 IN,A-COIL	S1-02818866000				1	
3	902	S1-02812480001	PLUG,DRAIN PAN	S1-02812480001	3	3	3	3	
3	907	S1-02818875000	PAN,DRAIN,HORIZONTAL,35.35 IN,A-COIL	S1-02818875000		1		1	
3	907	S1-02818876000	PAN,DRAIN,HORIZONTAL,37.26 IN,A-COIL	S1-02818876000	1		1		
3	909	S1-07348813001	SHIELD.BLOWOFF,3 ROW	S1-07348813001	1	1	1		
3	909	S1-07348814001	SHIELD.BLOWOFF,4 ROW	S1-07348814001				1	
3	922	S1-02310745000	CAP,SEAL,KNURLED 7/1	S1-02310745000	1	1	1	1	
3	932	S1-02202475700	CORE,VLV,V PORT (M10)	S1-02202475700	1	1	1	1	
3	935	S1-02310745000	CAP,SEAL,KNURLED 7/1	S1-02310745000	1	1	1	1	
3	940	S1-02818913000	GASKET,DRAIN PAN	S1-02818913000	2	2	2	2	
3	1106	S1-02131419000	WASHER, TXV	S1-02131419000	1	1	1	1	
3	1108	S1-1TVMBC1	KIT, TXV, R-410A, 3/4 INCH CHATLEFF CONN	S1-1TVMBC1	1	1	1	1	

Suggested stocking items are shown with shaded item number.



Section : INDOOR BLOWER PARTS

Section	Callout	Replacement Part #	Description	Original Part #	JHETB36 DBCS2N 1	JHETB36 DBCS2N 1	JHETC36 DBCS2N 1	JHETC42 FBCS2N1	JHETC48 GBCS2N 1
4	305	S1-32442186002	MTR,BLW,PRGRM,1/2,230V,EC M,BROAD OCEAN	S1-32442186002	1	1			
4	305	S1-32442186003	MTR,BLW,PRGRM,1/2,230V,EC M,BROAD OCEAN	S1-32442186003			1		
4	305	S1-32442186004	MTR,BLW,PRGRM,1/2,230V,EC M,BROAD OCEAN	S1-32442186004				1	
4	305	S1-32442187001	MTR,BLW,PRGRM,3/4,230V,EC M,BROAD OCEAN	S1-32442187001					1
4	305A	S1-02442186000	MTR,BLW,UNPRGRM,1/2,230V,ECM,BROAD OCEAN	S1-02442186000	1	1	1	1	
4	305A	S1-02442187000	MTR,BLW,UNPRGRM,3/4,230V,ECM,BROAD OCEAN	S1-02442187000					1
4	306	S1-02619654012	WHL,BLW,11 X 10,CW,1/2 BORE	S1-02619654012			1	1	1
4	306	S1-02619654012	WHL,BLW,11 X 10,CW,1/2 BORE	S1-02634501000			1	1	1
4	306	S1-02650615000	WHL,BLW,11-8	S1-02650615000	1	1			
4	307	S1-32650612001	MOUNT,ASSEMBLY,BLWR MOTOR	S1-32650612001	1	1	1	1	1
4	311	S1-02108968000	NUT,HEX,SELF LOCKING,1/4-20	S1-02108968000	1	1	1	1	1
4	313	S1-37348827001	HOUSING,BLOWER,11-8,AHU/MOD	S1-37348827001	1	1			
4	313	S1-37348828001	HOUSING,BLOWER,11-10,AHU/MOD	S1-37348828001			1	1	1

Section	Callout	Replacement Part #	Description	Original Part #	JHETC60 HBCS2N 1	JHETD48 GBCS2N 1	JHETD60 HBCS2N 1	JHETD60 JBCS2N1	
4	305	S1-32442187002	MTR,BLW,PRGRM,3/4,230V,EC M,BROAD OCEAN	S1-32442187002	1				
4	305	S1-32442187003	MTR,BLW,PRGRM,3/4,230V,EC M,BROAD OCEAN	S1-32442187003		1			
4	305	S1-32442187004	MTR,BLW,PRGRM,3/4,230V,EC M,BROAD OCEAN	S1-32442187004			1		
4	305	S1-32442187005	MTR,BLW,PRGRM,3/4,230V,EC M,BROAD OCEAN	S1-32442187005				1	
4	305A	S1-02442187000	MTR,BLW,UNPRGRM,3/4,230V,ECM,BROAD OCEAN	S1-02442187000	1	1	1	1	
4	306	S1-02619654012	WHL,BLW,11 X 10,CW,1/2 BORE	S1-02619654012	1				
4	306	S1-02619654012	WHL,BLW,11 X 10,CW,1/2 BORE	S1-02634501000	1				
4	306	S1-02638510000	WHL,BLW 11X11,CW,1/2" BORE	S1-02638510000		1	1	1	
4	307	S1-32650612001	MOUNT,ASSEMBLY,BLWR MOTOR	S1-32650612001	1	1	1	1	
4	311	S1-02108968000	NUT,HEX,SELF LOCKING,1/4-20	S1-02108968000	1	1	1	1	
4	313	S1-37348828001	HOUSING,BLOWER,11-10,AHU/MOD	S1-37348828001	1				
4	313	S1-37348829001	HOUSING,BLOWER,11-11,AHU/MOD	S1-37348829001		1	1	1	

Suggested stocking items are shown with shaded item number.

Section : MISCELLANEOUS

Section	Callout	Replacement Part #	Description	Original Part #	JHETB36 DBCS2N 1	JHETB36 DBCS2N 1	JHETC36 DBCS2N 1	JHETC42 FBCS2N1	JHETC48 GBCS2N 1
8	NS	S1-02527642000	CABLE STRAP,BLACK	S1-02509607000	1	1			
8	NS	S1-02816484001	BADGING,YORK,ID,ML (M24)	S1-02816484001	1	1			
8	NS	S1-02816486000	BADGING,LUXAIRE,ID,ML (M24)	S1-02816486000	1	1			
8	NS	S1-02816487000	BADGING,FRASER-JOHNSTON,ID,ML (M24)	S1-02816487000	1	1			
8	NS	S1-02816491000	BADGING,REVOLVE,OD,ML (M24)	S1-02816491000	1	1			
8	NS	S1-02817573000	BADGE,CHAMPION,ID,RECESSED MAIN (M24)	S1-02817108000	1	1			
8	NS	S1-02818409000	BADGING,COLEMAN,ID,ML (M24)	S1-02818409000	1	1			
8	NS	S1-02818924000	GROMMET,0.406 INCH ID X 0.750 INCH	S1-02818924000			1	1	1

Section	Callout	Replacement Part #	Description	Original Part #	JHETC60 HBCS2N 1	JHETD48 GBCS2N 1	JHETD60 HBCS2N 1	JHETD60 JBCS2N1	
8	NS	S1-02818924000	GROMMET,0.406 INCH ID X 0.750 INCH	S1-02818924000	1	1	1	1	

Suggested stocking items are shown with shaded item number.

Section : WIRING DIAGRAMS / VFD PARAMETERS

Section	Callout	Replacement Part #	Description	Original Part #	JHETB36 DBCS2N 1	JHETB36 DBCS2N 1	JHETC36 DBCS2N 1	JHETC42 FBCS2N1	JHETC48 GBCS2N 1
9	9	6113166	WIRING DIAGRAM - 5.5 X 8.5 STD ECM	6113166	1	1	1	1	1

Section	Callout	Replacement Part #	Description	Original Part #	JHETC60 HBCS2N 1	JHETD48 GBCS2N 1	JHETD60 HBCS2N 1	JHETD60 JBCS2N1	
9	9	6113166	WIRING DIAGRAM - 5.5 X 8.5 STD ECM	6113166	1	1	1	1	

Suggested stocking items are shown with shaded item number.

Section : HARNESES

Section	Callout	Replacement Part #	Description	Original Part #	JHETB36 DBCS2N 1	JHETB36 DBCS2N 1	JHETC36 DBCS2N 1	JHETC42 FBCS2N1	JHETC48 GBCS2N 1
10	406	S1-02552099000	HARNESS,JHET/JMET,ECM STD	S1- 02552099 000	1	1	1	1	1

Section	Callout	Replacement Part #	Description	Original Part #	JHETC60 HBCS2N 1	JHETD48 GBCS2N 1	JHETD60 HBCS2N 1	JHETD60 JBCS2N1	
10	406	S1-02552099000	HARNESS,JHET/JMET,ECM STD	S1- 02552099 000	1	1	1	1	

Suggested stocking items are shown with shaded item number.

Model series repair parts lists are generated for each model number from the last production bill of material.

Major components and suggested stocking items are shown with shaded item number.

Repair parts lists are subject to change without notice.

TO ORDER AUTHORIZED FACTORY REPLACEMENT PARTS - Contact your Source1 HVAC Parts Distributor or visit our website at www.Source1Parts.com for a Distributor and Dealer listing.

Copyright © 2024 by Johnson Controls Inc. All rights reserved.

Johnson Controls Unitary Products